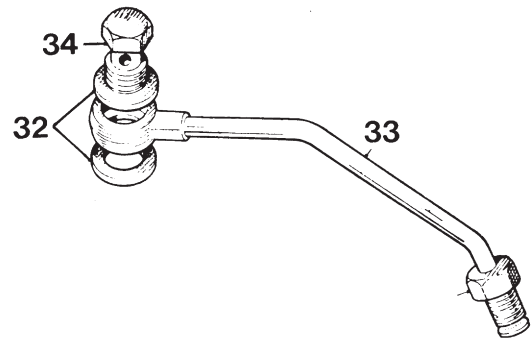


Part Number	ESM Order Ref.	Illus. No.	Description	Remarks
-------------	----------------	------------	-------------	---------

Filter - oil (Tecalemit)				
9M270	10M256	1	Element	
9M271	10M257SH	2	Head	
9M272	10M258SH	3	Sump	
9M273	10M259	4	Seal - sump to head	
9M274	10M260SH	5	Plate - clamping	
9M275	10M261SH	6	Circlip - plate to head	
9M276	10M262SH	7	Washer - felt	
9M277	10M263SH	8	Washer - dished	
9M278	10M264	9	Plate - pressure	
9M279	10M265	10	Circlip - plate to centre bolt	
9M280	10M266	11	Washer - felt	
9M281	10M267	12	Washer - plain	
9M282	10M268	13	Spring - pressure plate	
9M283	10M269SH	14	Bolt - centre	
10M270	10M270	15	Seal - bolt to sump	



Filter - oil (Purolator)				
9M284	9M284SH	16	Head	
9M285	10M272	17	Sump	
9M286	10M273	18	Seal - sump to head	
9M287	10M274	19	Plate - pressure	
9M288	10M275	20	Seal	
9M289	FIX109A	21	Washer - plain	
9M290	10M277	22	Spring - pressure plate	
9M291	9M291	23	Bolt - centre	
9M292	9M292SH	24	Circlip	
9M293	10M279	25	Collar	
9M294	10M280	26	Seal	
9M295	9M295	27	Ball	
9M296	10M285	28	Gasket - filter to crankcase	
9M297	FIX140	29	Nut	
9M298	FIX158	30	Washer - spring	
9M299	10M288	31	Pipe - oil	
9M300	10M290	32	Washer - copper	
9M301	10M291	33	Connector - flared	
9M302	10M289	34	Screw - banjo union	
9M303	10M292	35	Switch - oil pressure	
9M304	10M245	36	Washer - copper	

